

realspace[®]

FOTON

SKU#9315555

SKU#3516216



Distributed by:



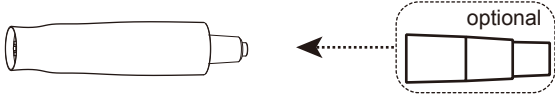

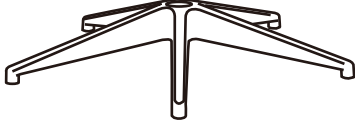
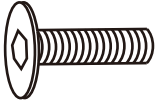
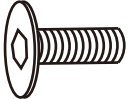
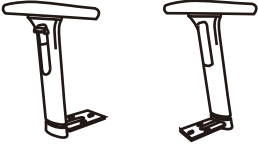
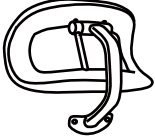
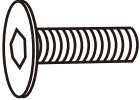

Office Depot Europe B.V.

Columbusweg 33, 5928 LA Venlo

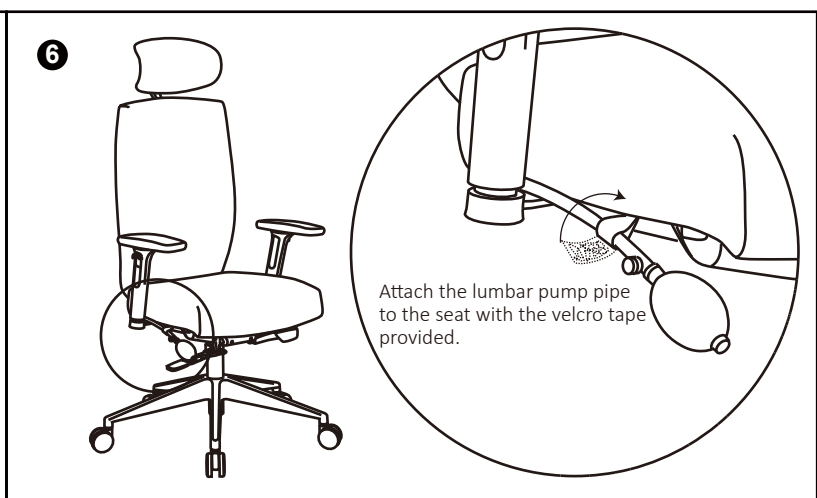
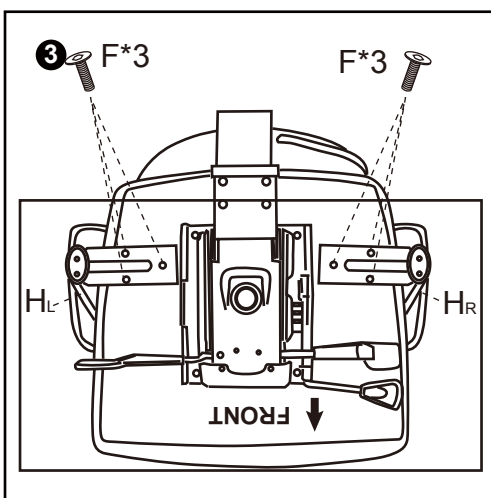
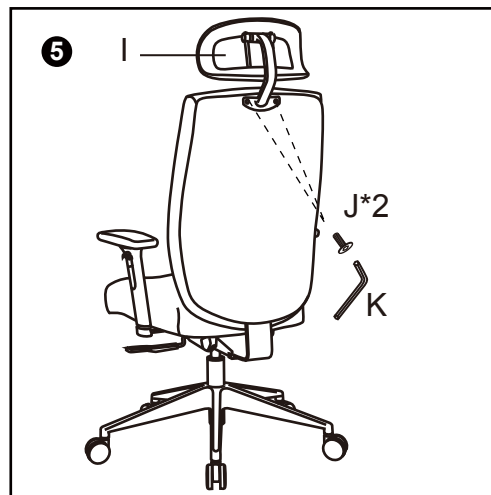
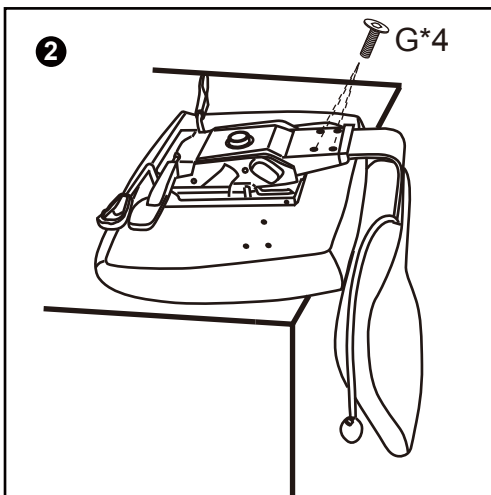
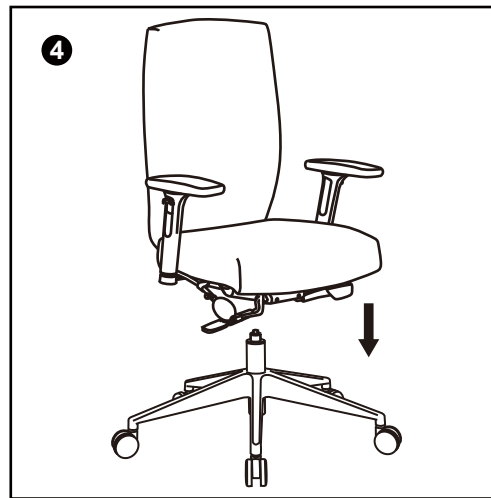
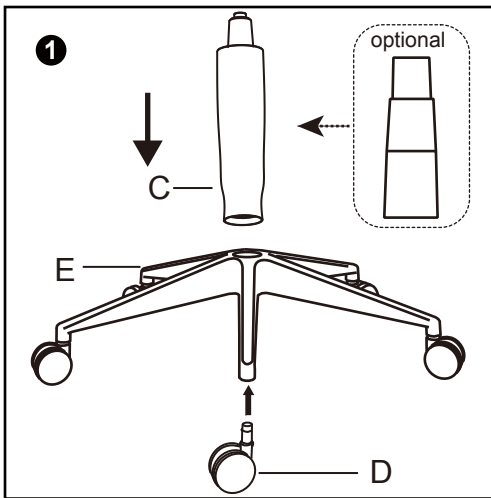
The Netherlands

©2019, Office Depot Europe B.V.

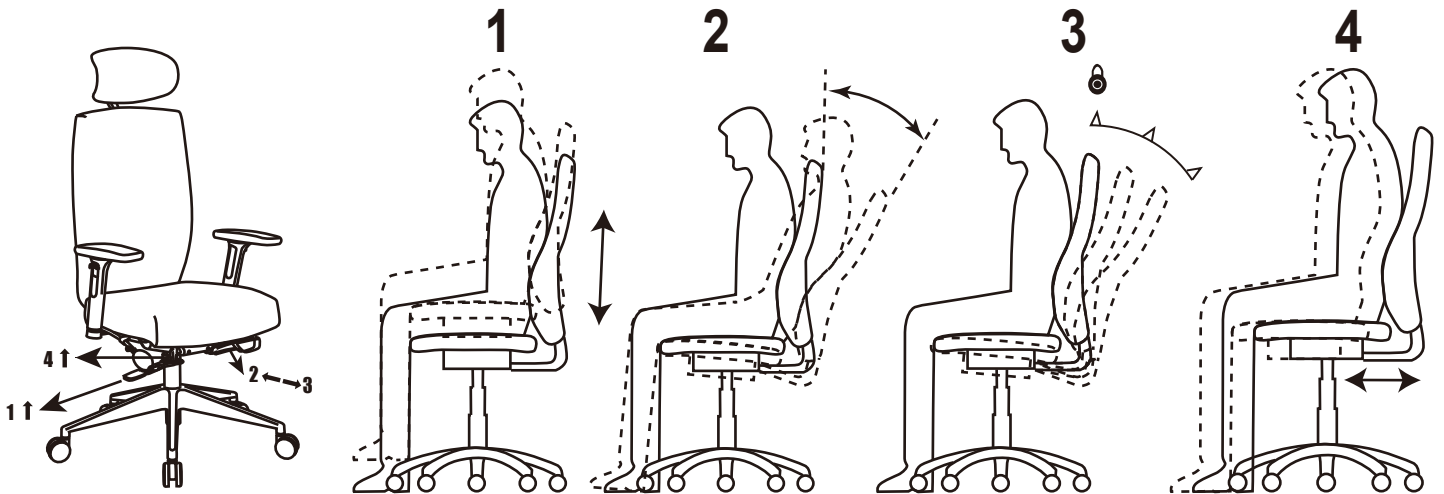
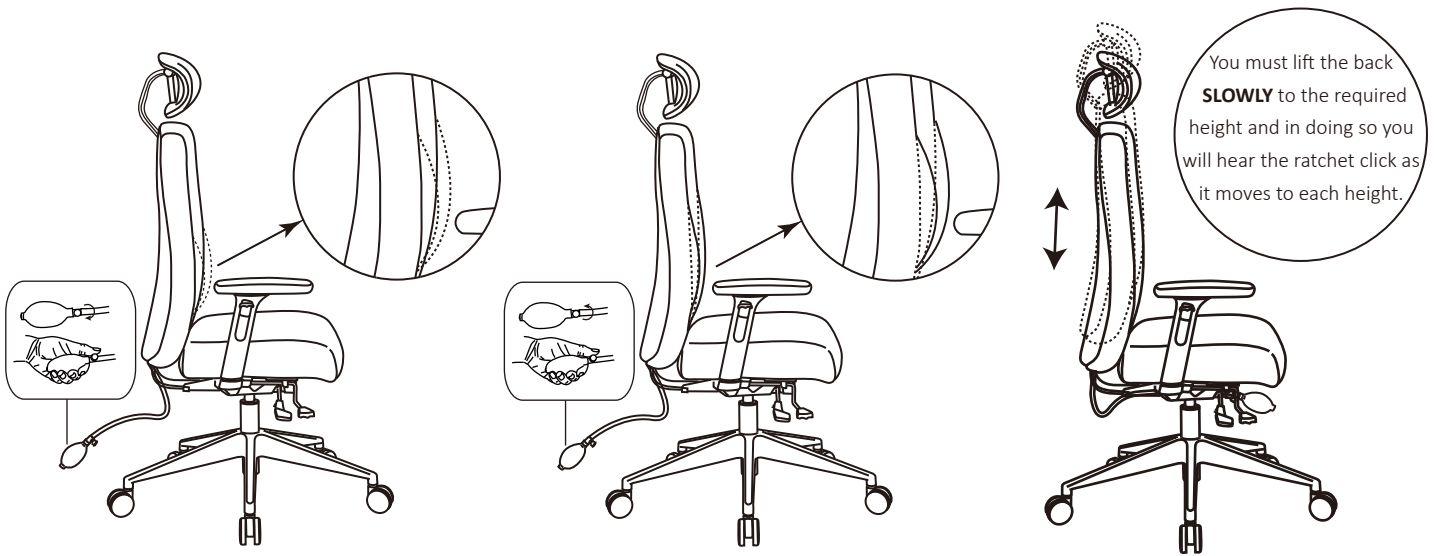
Made in China www.officedepot.eu

A		x1
B		x1
C		x1
D		x5
E		x1
F	 M6×30mm Pre-inserted	x6
G	 M8×18mm Pre-inserted	x4
H		x1
I		x1
J	 M6×20mm Pre-inserted	x2
K		x1

- ⒸB Please note bolts are located in their fixing positions
- Ⓕ Veuillez noter que les boulons sont situés dans leur position de fixation
- Ⓖ Verificare che I bulloni siano posizionati nelle relative posizioni di fissaggio
- Ⓓ Hinweis: Die Bolzen befinden sich in ihren Befestigungspositionen
- Ⓔ Por favor, observe que los pernos se sit an en sus posiciones de ajuste
- Ⓜ Note que os parafusos esto posicionados nas suas posi es de fiza o
- Ⓝ Let op: bouten zijn op de bevestigingspunten aangebracht



IMPORTANT! Do not tighten bolts fully until you have completed assembly
IMPORTANT! Ne serrez pas complètement les boulons avant d'avoir terminé le montage
IMPORTANTE! Non serrate completamente le viti finchè non avrete completato il montaggio.
WICHTIG! Schrauben erst nach vollständiger Montage fest anziehen.
IMPORTANTE! No apriete en su totalidad los pernos hasta no haber completado el montaje.
BELANGRIJK! Draai de bouten niet helemaal vast voordat u de stoel volledig in elkaar hebt gezet.



COLOUR	FOTON
	EU
Black Fabric	9315555
Blue Fabric	3516216

The height adjustable back works on upward only ratchet system. You must lift the back **SLOWLY** to the required height and in doing so you will hear the ratchet click as it moves to each height. To lower the back, gently lift and move down to the seat level. The ratchet only works moving the back up to a height-**not down**.